

Specialist in design and production of high-quality valves

We produce valves in sizes from 1/4" up to 24" and in pressure ratings from ANSI 150 up to API 15,000 psi. Temperature ratings range from -196°C up to +850°C.

VALVE TYPES:

- Ball valves
- Gate valves
- Globe valves
- Check valves
- Double Block and Bleed valves (Twin valves)
- Non-contact Rising Stem Ball valves
- Special valves

SERVICES:

- Subsea
- Cryogenic/LNG
- Extra sour service
- Hydrogen
- High Temperature-High Pressure
- Nuclear
- Pharma
- Food & Beverage



BSM
valves
THE NETHERLANDS
www.bsmvalves.com



CUSTOM MADE

FAST DELIVERY TIMES

WORLDWIDE SERVICE

BSM Valves are now sold also by BROEN Inc. from their Houston, TX facility.

Please contact us at info@broen.com or at +1 (713) 300 0480

FAST-TRACK VALVE MANUFACTURING

BROEN
VALVE TECHNOLOGIES



INTRODUCTION

BSM Valves is a specialist valve manufacturer, established in 1994 and based in the Netherlands. Innovation, development and growth are the key words to describe BSM Valves as a company.

At our modern facilities, which opened in 2013, we design, manufacture, assemble and test non-stock valves with short delivery times as a standard feature. All parts are machined from bars or forgings, and all of our valves are tested in-house at our state-of-the-art testing department in accordance with client's requirements and specifications.

BSM
valves
THE NETHERLANDS
www.bsmvalves.com

MATERIALS

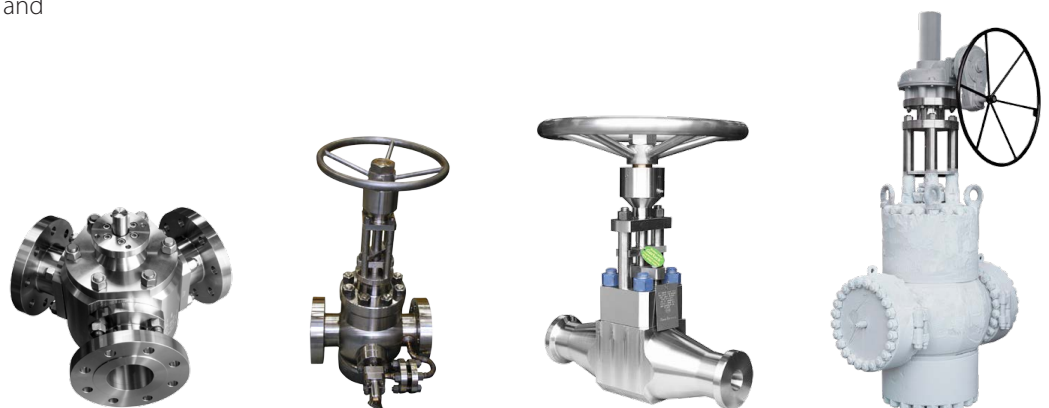
The following list is far from complete and covers regularly used materials only. Please do not hesitate to contact BSM Valves if the material you require is not listed. We will be pleased to advise you on actual possibilities.

Material Examples	
Carbon Steels	A105N, LF2, LF3, F5, F9, F11, F22, F60, AISI 4130
Stainless Steels	304(L), 310, 316(L/H), 316Ti, 321, 347, 904L, SS Urea Grade
Duplex Stainless Steels	Duplex F51 (SAF2205), Super Duplex F53/F55 (Zeron 100), F44 (254Smo)
Nickel Alloys	Monel®, Inconel®, Hastelloy®, Incoloy®
Group 4 Metals	Titanium (Gr.2, 5, 7, 12) Zirconium (Zr702, Zr705)

STANDARDS

Our years of experience in fast track valve manufacturing enabled us to build up a knowledge base and library on the widest range of industrial standards and design codes. We list herewith common used standards only. Please do not hesitate to contact us if a non-listed or specific design is required.

STANDARDS
API 6A, API 6D, API 6DSS, API 17D, API 594, API 600, API 602, API 606, API 608
BS 1414, BS 1868, BS 1873, ISO 15761 (BS 5352), ISO 17292 (BS 5351)
ASME B16.10, B16.34
ISO, DIN, BS, EN, JIS



CUSTOM MADE

FAST DELIVERY TIMES

WORLDWIDE SERVICE

BSM Valves are now sold also by BROEN Inc. from their Houston, TX facility.

Please contact us at info@broen.com or at +1 (713) 300 0480

