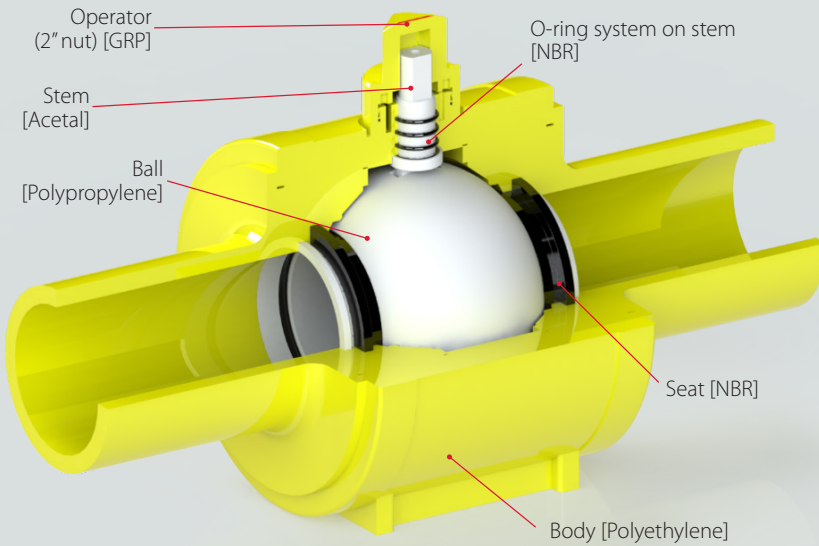


POLYETHYLENE (PE) BALL VALVES

Technical data

BROEN
VALVE TECHNOLOGIES



INJECTION MOLDED POLYETHYLENE VALVES WITH BUTT FUSING ENDS

- **Materials**
 - PE 80 / PE 2708 medium density yellow
 - PE 100 / PE 4710 high-density black
- Sizes: ½" up to 16"
- **Main technical references:**
 - ASME B16.40
 - ASTM D-2513
- Temperature range: -20°F up to 140°F
- Gear boxes available for valves 10" and larger
- Barcode per ASTM F2897
- Individual serial number stamped on each valve for full traceability
- PE 100 / 4710 rated for 125 psi (Gas US) / 145 psi (Gas Canada) / 200 psi (water)

PE 80/2708 YELLOW - NATURAL GAS ONLY

VALVE SIZE	CATALOG NUMBER	PORT	LENGTH	SDR	WEIGHT
1/2 CTS	PEB 1/2C MD80 .089 25	1.06	11.81	0.089	2.5
1/2 IPS	PEB 1/2I MD80 .076 25	1.06	11.81	0.076	2.5
3/4 IPS	PEB 3/4I MD80 .095 25	1.06	11.81	0.095	2.6
1 CTS	PEB 1C MD80 .118 25	1.06	11.81	0.118	2.6
1 IPS	PEB 1I MD80 .120 25	1.06	11.81	0.120	2.6
1-1/4 CTS	PEB 5/4C MD80 DR10 14	1.06	11.81	DR10	2.6
1-1/4 IPS	PEB 5/4I MD80 DR10 14	1.06	11.81	DR10	2.6
2 IPS	PEB 2I MD80 DR11 14	1.81	24.90	DR11	5.2
3 IPS	PEB 3I MD80 DR11 14	2.75	27.76	DR11	11.8
4 IPS	PEB 4I MD80 DR11 14	3.55	29.37	DR11	20
6 IPS	PEB 6I MD80 DR11 14	5.24	29.21	DR11	53.5
8 IPS	PEB 8I MD80 DR11 14	7.01	32.09	DR11	90.7

PE 100/4710 BLACK - NATURAL GAS AND WATER

VALVE SIZE	CATALOG NUMBER	PORT	LENGTH	SDR	WEIGHT
1/2 CTS	PEB 1/2C HD100 .089 25	1.06	11.81	0.089	2.5
1/2 IPS	PEB 1/2I HD100 .076 25	1.06	11.81	0.076	2.5
3/4 IPS	PEB 3/4I HD100 .095 25	1.06	11.81	0.095	2.6
1 CTS	PEB 1C HD100 .118 25	1.06	11.81	0.118	2.6
1 IPS	PEB 1I HD100 .120 25	1.06	11.81	0.120	2.6
1-1/4 CTS	PEB 5/4C HD100 DR10 14	1.06	11.81	DR10	2.6
1-1/4 IPS	PEB 5/4I HD100 DR10 14	1.06	11.81	DR10	2.6
2 IPS	PEB 2I HD100 DR11 14	1.81	24.90	DR11	5.2
3 IPS	PEB 3I HD100 DR11 14	2.75	27.76	DR11	11.8
4 IPS	PEB 4I HD100 DR11 14	3.55	29.37	DR11	20
6 IPS	PEB 6I HD100 DR11 14	5.24	29.21	DR11	53.5
8 IPS	PEB 8I HD100 DR11 14	7.01	32.09	DR11	90.7
10 IPS ⁽¹⁾	PEB 10I HD100 DR11 51	7.01	32.09	DR11	105.5
12 IPS ⁽¹⁾	PEB 12I HD100 DR11 51	9.76	36.97	DR11	183.4
16 IPS ⁽¹⁾	PEB 16I HD100 DR11 51	11.22	39.96	DR11	206.6

⁽¹⁾ with vertical gear operator.
Dimensions listed in inch and pound.

ADVANTAGES

- ☑ Comprehensive size range
- ☑ Valves with largest port size in the industry
- ☑ 100% plastic valve with no metal parts: no corrosion, no fluid contamination
- ☑ Extra long ends allowing for multiple fusions
- ☑ Rugged and reliable design (extra-heavy valves)
- ☑ Built-in heavy duty stops
- ☑ Fabrication and extended pups through our partners in the USA
- ☑ Fiberglass reinforced impact-resistant operating nut

BROEN reserves the right to change any information included in this page without notice.

BROEN
BALLOMAX®

Designed to last

WHO WE ARE

LARGE AND SMALL, HIGH OR LOW PRESSURE.
BROEN ALWAYS HAS THE VALVE YOU NEED

Founded in 1948, BROEN is a leading international manufacturer of valve technology

For more than 75 years, BROEN has been the leader in the development and production of valve technology for water, air and gas. Our goal is to build long-lasting and trust-based partnerships with our valued Customers through the local presence of our companies and our capillary sales and service network.

BROEN employs more than 600 employees in five manufacturing facilities worldwide, producing more than three million valves per year.

ISO 9001 certified since 2001, BROEN is committed to ensuring our Customers receive high-quality products that exceed expectations.

BROEN has a strong focus on innovation, continuously improving our product range to offer state-of-the-art solutions and technologies, including BROEN BALLOMAX®, the industry's best ball valves for natural gas service.

Key Information



Leading supplier for 75+ years

600 employees across 3 continents

Five factories in DK, PL, RU, USA

Yearly production 3+ million valves

150+ million USD yearly revenue

The BROEN BALLOMAX® Valves



Floating Ball Valves



Trunnion and
API-6D Monogrammed Ball Valves



Polyethylene (PE) Valves